



ROTECH FOR RELIABILITY!

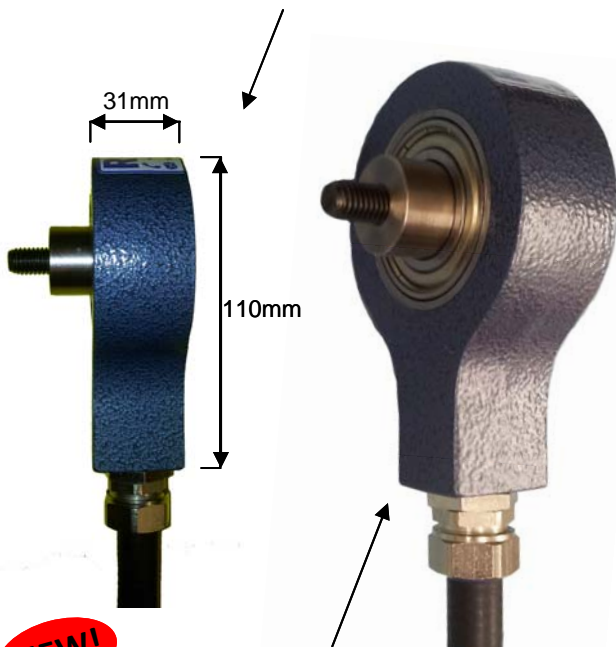
Why Accept Anything Less?

MAE1000 Series Mini Aluminium Body Standard Duty – End of Shaft

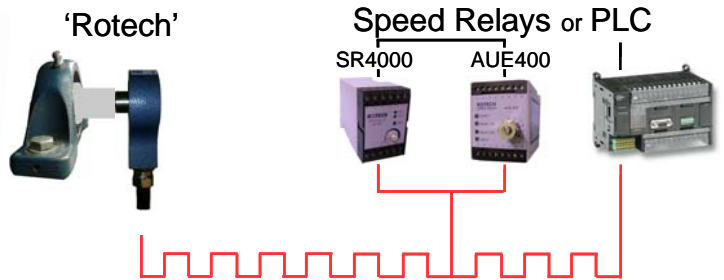
The MAE 1000 series of Rotech shaft mounted sensors & encoders has been developed from the AE1000 part of our standard range. Manufactured in an extremely tough and durable aluminium casting with an industrial powder coated hammer blue finish

Installation is simple and easy, just one threaded hole in the end of the shaft being monitored or fitted using the unique "Mag-con" magnetic connector. The Mag-Con is also available as an integrated fitment on the Mag-coder range.

A wide range of number of pulses per revolution are available together with AC and DC electrical outputs. **With body dimensions of just 31x110mm the MAE1000 Series is the perfect solution where installation space is severely limited.**



APPLICATION EXAMPLE:



FOR MONITORING:

- Speed
- Distance
- Direction
- Sequencing
- Shaft stopped
- Underspeed
- Overspeed
- Safety guards interlocking

FEATURES:

- Totally self contained (no guards required)
- Smaller installation area – reduced dimensions
- Maintenance free for maximum reliability
- Optional fixing bolt thread – M8, M10, M12, M16 ½" UNC
- 1 to 60 pulses per revolution
- Environment ingress-IP65
- -25 to +70, 100, 125, 150 deg Celsius versions available

NEW!

Also available with Brad® Quick Connect/Disconnect range of receptacles



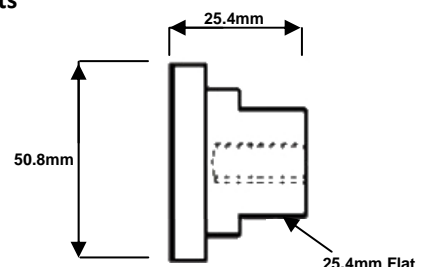
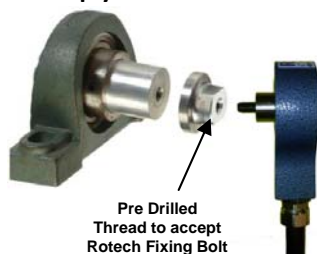
MAG-CON

MAGNETIC SHAFT CONNECTOR

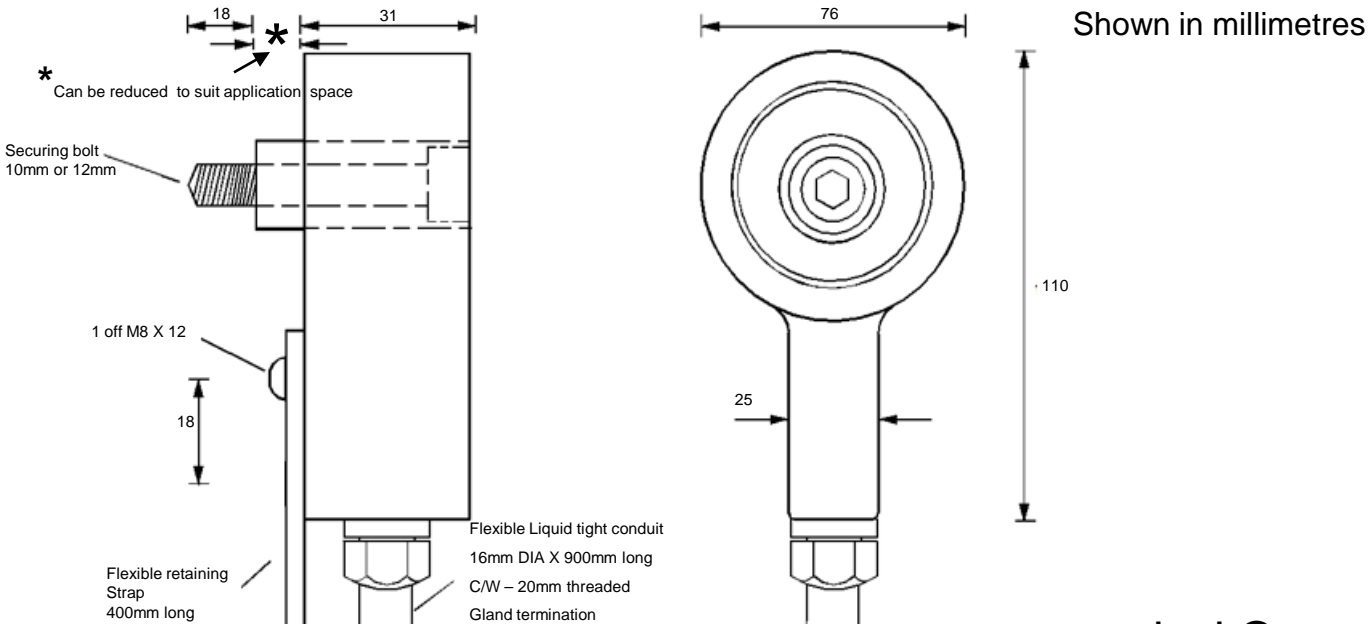
For Quick and Easy Installation of Rotech Shaft Mounted Sensors & Encoders.
Simply attaches to existing shafts

IMPORTANT NOTE:

- MAXIMUM OPERATING SPEED IS 300RPM**
- RECOMMENDED MINIMUM SHAFT DIAMETER FOR FITTING=35MM**



Dimensions and Installation Information



Electrical Outputs

Available Pulse Rates (PPR)
1,2,4,5,6,8,10,12,16,20,30,32,40,50,60 (Dependent Upon Output Type)

Type Z (2 Wire Non Polarized) 10-30Vdc

Max frequency = 1500Hz

Type E (N.P.N) 10-30Vdc Current sink

Max frequency = 600Hz

Type E2 (P.N.P) 10-30Vdc Current source

Max frequency = 600Hz

Type E3 (N.P.N + P.N.P - 3 wire) 10-30Vdc Bi-polar - Current sink/source

Max frequency = 1000Hz

Type E4 (N.P.N + P.N.P. - 2 Wire) 10-30Vdc Bi-polar - Current sink/source

Max frequency = 1300Hz

Type W output NOT available on this Series. Refer to AE1000 series.

Type N (Namur) 8-2 Vdc (1KΩ) Intrinsically safe circuits

The voltage and current characteristics of NAMUR sensor outputs are so low that they can be safely used in explosive environments. The power limitation is implemented in the corresponding equipment. This means that the circuit containing a NAMUR proximity sensor is only intrinsically safe if it is supplied via a corresponding isolating amplifier. Contact Rotech Systems for details of amplifiers available.

Max frequency = 2000Hz

Type E3 Q (Quadrature) 10-30Vdc

CH "A" Leads CH "B" for clockwise rotation viewed from shaft end of encoder

Max frequency = 15KHz

Type E2 Q (Quadrature) 1 to 40 PPR inclusive

Max frequency = 600Hz



Tel : +44 (0)151 356 2322 Website: www.rotechsystems.co.uk
Fax: +44 (0)151 356 2437 Email: sales@rotechsystems.co.uk

