



ROTECH FOR RELIABILITY!

Why Accept Anything Less?

BRAD® CONNECTIVITY

PE 4000-RS Series

Polypropylene Body

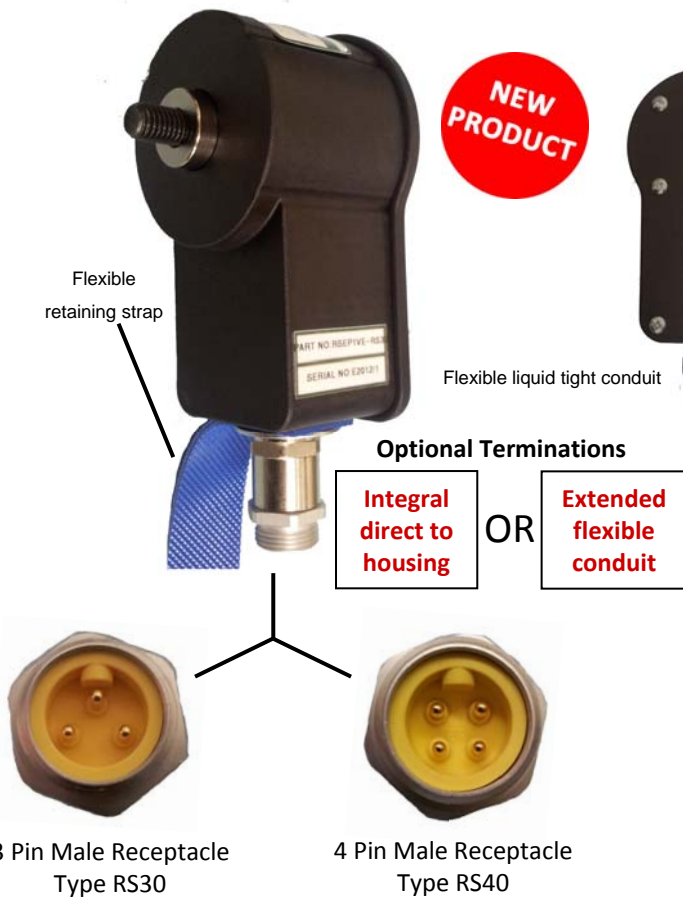
HEAVY DUTY – END OF SHAFT

The PE 4000-RS series of Rotech shaft mounted motion sensors & encoders are manufactured in an extremely tough and durable 30% glass fibre reinforced polypropylene housing as well as being fitted with the Brad® Quick connectivity range of 3 & 4 pin receptacles for easy on site electrical termination.

Installation is simple and easy, just requiring one 12mm threaded hole in the end of the shaft being monitored or fitted using the unique “Mag-Con” magnetic connector as shown below.

A wide range of number of pulses per revolution are available together with AC and DC electrical outputs. Quick connectivity using the standard Brad® Mini – Change® Connectors as shown below.

APPLICATION EXAMPLE:



NEW PRODUCT

‘Rotech’

FOR MONITORING:

- Speed
- Distance
- Direction
- Belt slip
- Shaft stopped
- Underspeed
- Overspeed
- Safety guards interlocking

FEATURES:

- Totally self contained (no guards required)
- Maintenance free for maximum reliability
- 1 to 1000 pulses per revolution
- Environment ingress-IP66
- -25 to +100 deg Celsius versions available



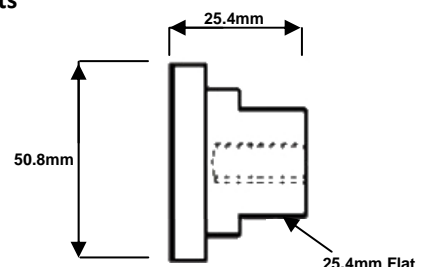
MAG-CON

MAGNETIC SHAFT CONNECTOR

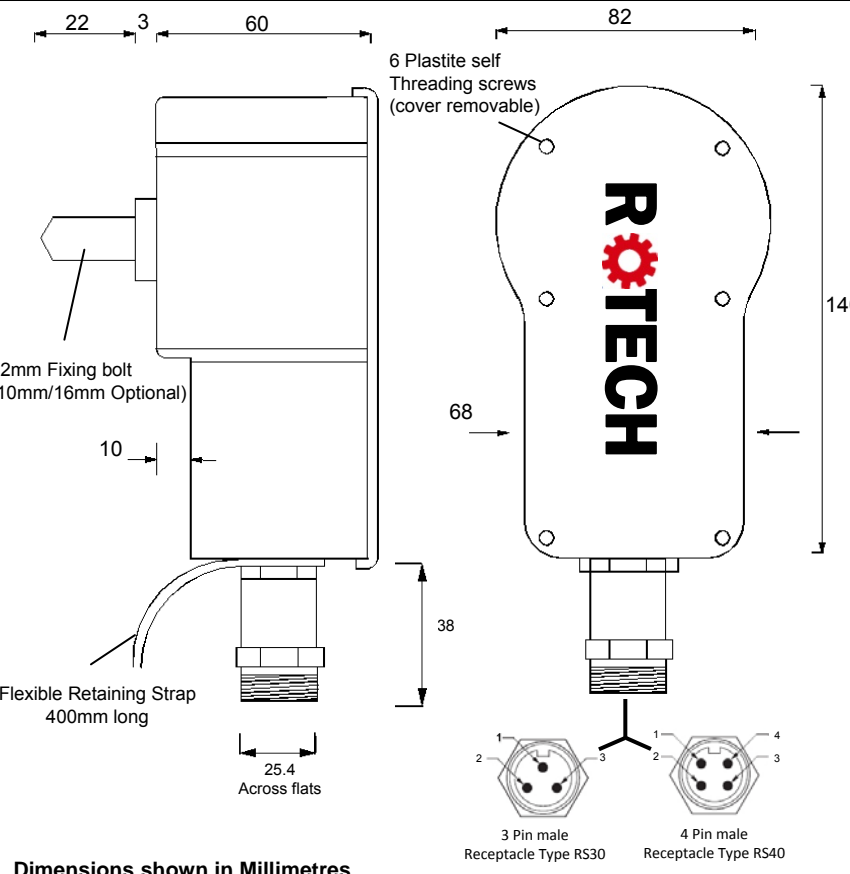
For Quick and Easy Installation of Rotech Shaft Mounted Sensors & Encoders.
Simply attaches to existing shafts

IMPORTANT NOTE:

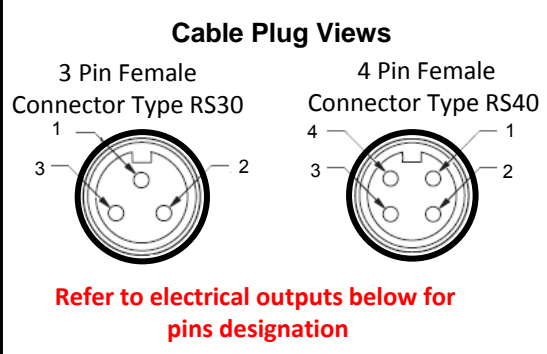
- MAXIMUM OPERATING SPEED IS 300RPM**
- RECOMMENDED MINIMUM SHAFT DIAMETER FOR FITTING=35MM**



Dimensions/Installation/Electrical Terminations



RS30/RS40 Connection options available

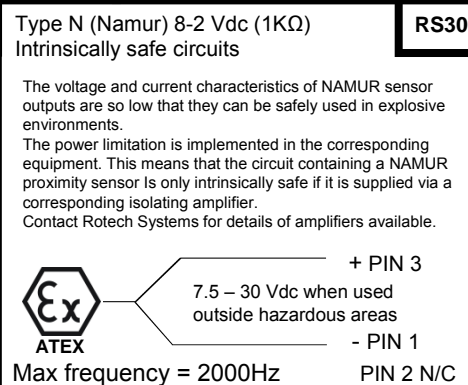
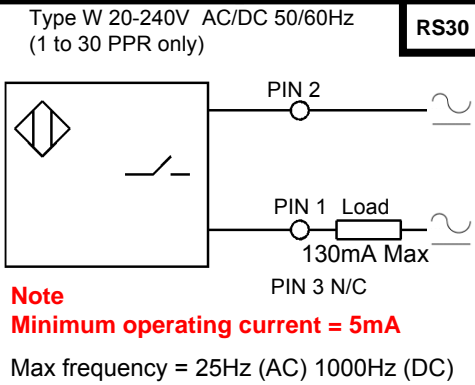
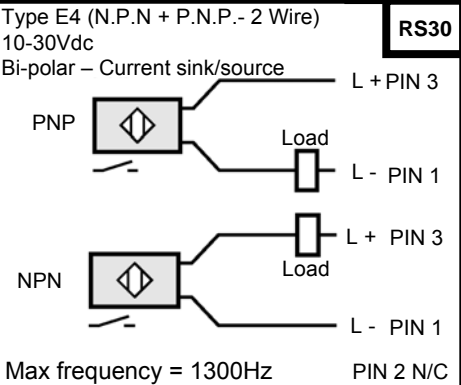
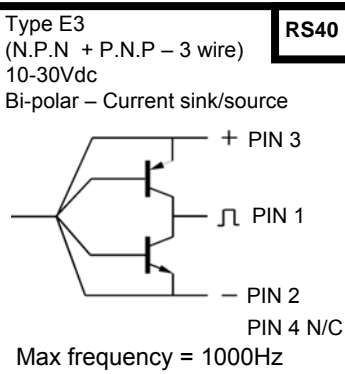
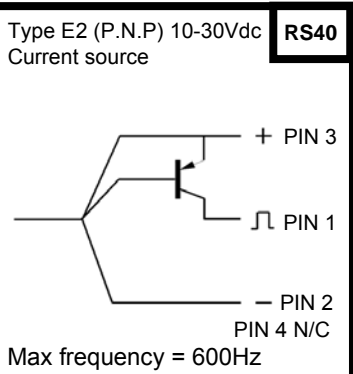
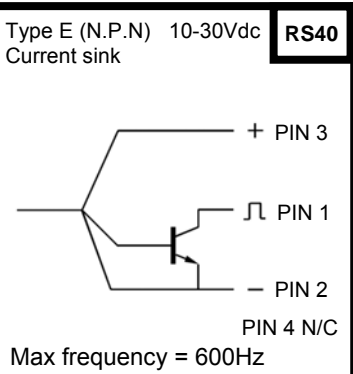
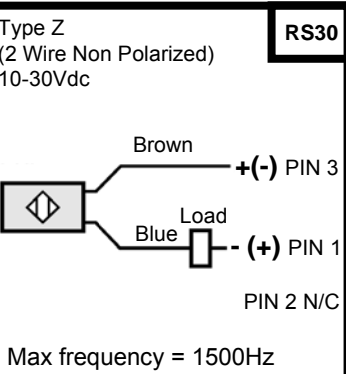


Cable Cores Identification

RS30	RS40
1. Black	1. Black
2. Brown	2. Blue
3. Blue	3. Brown
	4. White

Available Pulse Rates (PPR)
1, 2, 4, 5, 6, 8, 10, 12, 16, 20, 30, 32, 40, 50, 60, 100, 120, 180, 240, 250, 300, 360, 500, 1000 (Dependent Upon Output Type)

Electrical Outputs



Tel : +44 (0)151 356 2322 Website: www.rotechsystems.co.uk
 Fax: +44 (0)151 356 2437 Email: sales@rotechsystems.co.uk

