



ROTECH FOR RELIABILITY!
Why Accept Anything Less?

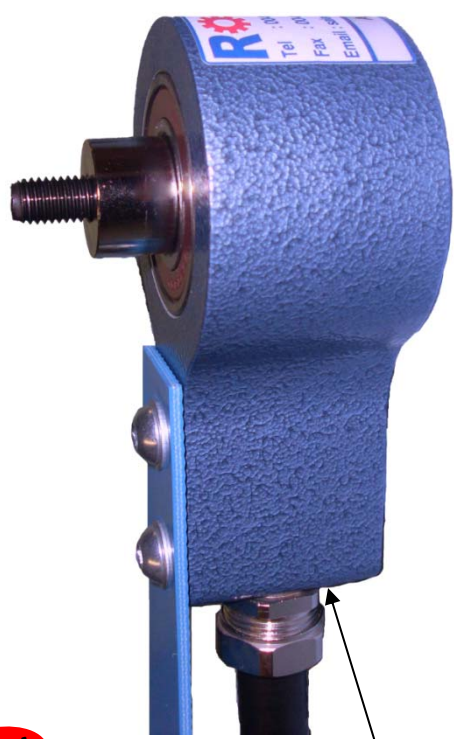
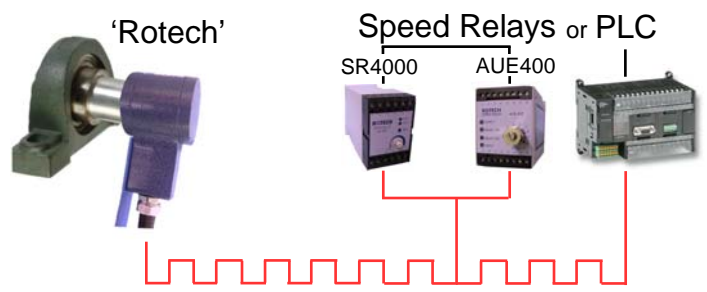
AE 1000 Series Aluminium Body Standard Duty – End of Shaft

The AE 1000 series of Rotech shaft mounted sensors & encoders are manufactured in an extremely tough and durable aluminium casting with an industrial powder coated hammer blue finish

Installation is simple and easy, just one M10 or M12 threaded hole in the end of the shaft being monitored or fitted using the unique "Mag-con" magnetic connector

A wide range of number of pulses per revolution are available together with AC and DC electrical outputs

APPLICATION EXAMPLE:



FOR MONITORING:

- Speed
- Distance
- Direction
- Belt slip
- Shaft stopped
- Underspeed
- Overspeed
- Safety guards interlocking

FEATURES:

- Totally self contained (no guards required)
 - Maintenance free for maximum reliability
 - 1 to 1000 pulses per revolution
 - Environment ingress-IP65
 - -25 to +70, 100, 125, 150 deg Celsius versions available
- US LISTED

NEW!

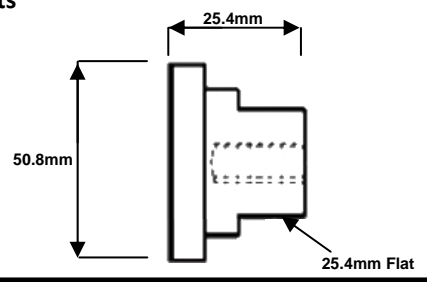
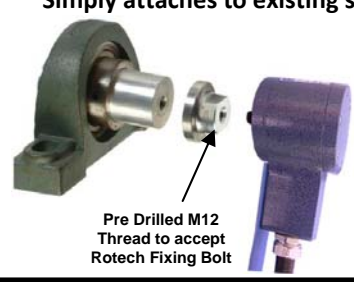
Also available with Brad® Quick Connect/Disconnect range of receptacles



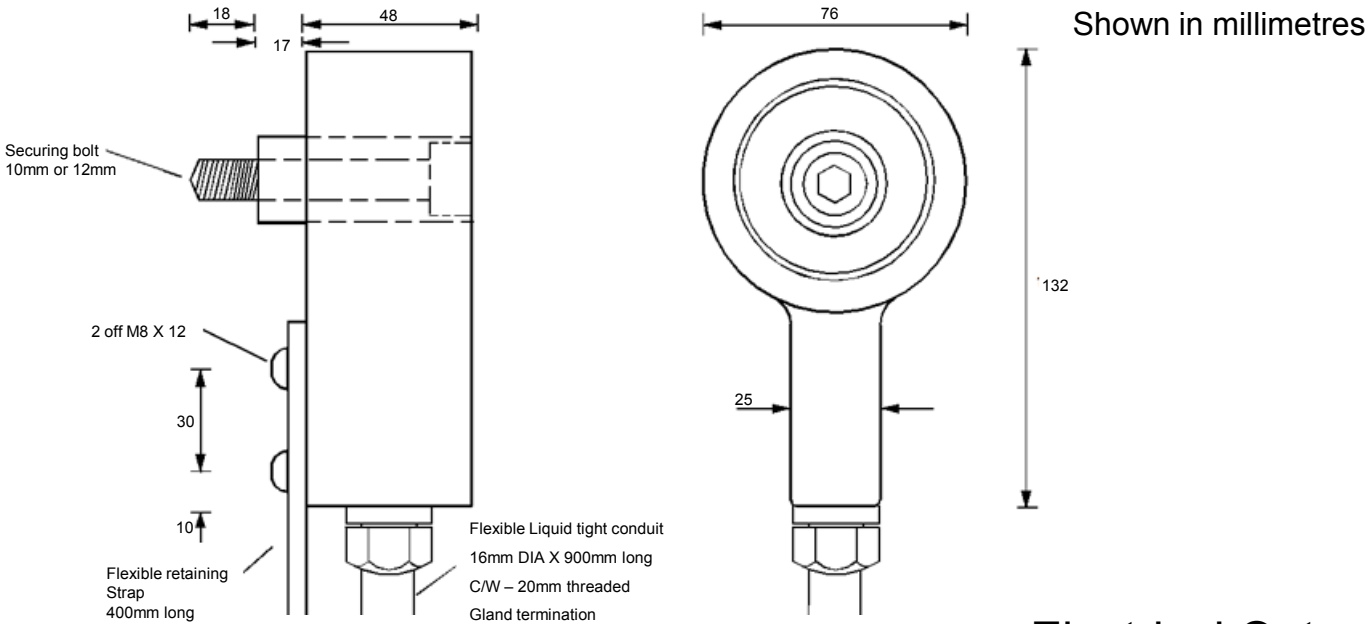
MAG-CON
MAGNETIC SHAFT CONNECTOR

For Quick and Easy Installation of Rotech Shaft Mounted Sensors & Encoders.
Simply attaches to existing shafts

IMPORTANT NOTE:
MAXIMUM OPERATING SPEED IS 300RPM
RECOMMENDED MINIMUM
SHAFT DIAMETER FOR FITTING=35MM



Dimensions and Installation Information



Electrical Outputs

Available Pulse Rates (PPR)
 1,2,4,5,6,8,10,12,16,20,30,32,40,50,60,100,120,180,240,250,300,360,500,1000 (Dependent Upon Output Type)

Type Z (2 Wire Non Polarized) 10-30Vdc

Max frequency = 1500Hz

Type E (N.P.N) 10-30Vdc Current sink

Max frequency = 600Hz

Type E2 (P.N.P) 10-30Vdc Current source

Max frequency = 600Hz

Type E3 (N.P.N + P.N.P - 3 wire) 10-30Vdc Bi-polar - Current sink/source

Max frequency = 1000Hz

Type E4 (N.P.N + P.N.P - 2 Wire) 10-30Vdc Bi-polar - Current sink/source

Max frequency = 1300Hz

Type W 20-240V AC/DC 50/60Hz (1 to 30 PPR only)

Note
Minimum operating current = 5mA

Max frequency = 25Hz (AC) 1000Hz (DC)

Type N (Namur) 8-2 Vdc (1KΩ) Intrinsically safe circuits

Max frequency = 2000Hz

Type E3 Q (Quadrature) 10-30Vdc

CH "A" Leads CH "B" for clockwise rotation viewed from shaft end of encoder

Max frequency = 15KHz

Type E2 Q (Quadrature) 1 to 40 PPR inclusive

Max frequency = 600Hz



Tel : +44 (0)151 356 2322 Website: www.rotechsystems.co.uk
 Fax: +44 (0)151 356 2437 Email: sales@rotechsystems.co.uk

